

SLA

FACTORY ACTIVATED

SLA | READY TO START

REF **53030**



12V VOLTAGE - V

280A CCA - A

31.6Ah CAPACITY - Ah (20Hr)

30Ah CAPACITY - Ah (10Hr)

TECHNOLOGY

- Designed according to AGM technology (Absorbed acid)
- VRLA battery type
- Activated and pre-charged batteries
- Homologated by OEM

FEATURES

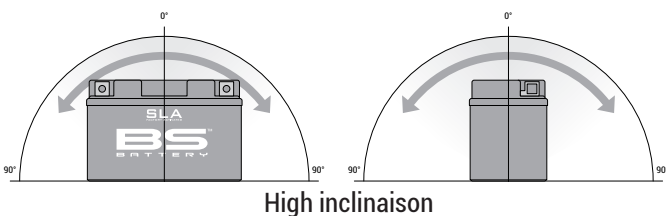
- AGM construction (Absorbed Glass Material)
- VRLA battery (Valve Regulated Lead Acid)
- Factory activated
- Environmentally friendly, spillproof design
- Multi-positional fitment
- Absolutely Maintenance free
- Sealed, no gas emission through venting hole (under normal operation)
- Ready & Easy to use
- No acid handling - Very safe
- Increased power & Extended life
- Extreme vibration resistance

UPGRADE FOR

WEIGHT

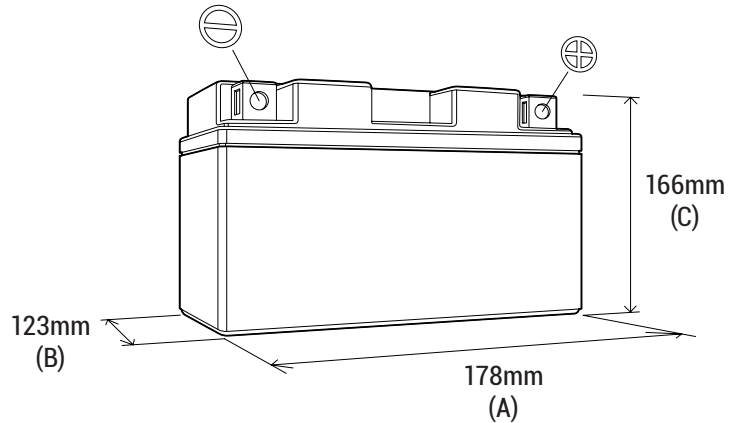
Battery (with acid) : Approx 8.52kg (17.64lbs)

MOUNTING ANGLE



DIMENSIONS

Length (A) : 178±2mm (7.01 in)
 Width (B) : 123±2mm (4.84 in)
 Container height : 166±2mm (6.54 in)
 Total height (C) : 166±2mm (6.54 in)



TERMINALS

